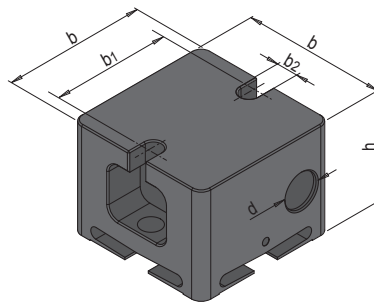




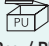
PRODUCT DESCRIPTION

- » The reference element is milled directly into the electrode holder
- » Prepared for chip encoding
- » Includes fastening screws



MATERIAL

- » 1.0038, black oxidized

b	h	d	b2	b1	 Pcs. / PU	No.	EUR
54	40	13	6.7	40	1	HER 1252/40	<>
54	40	13	6.7	40	12	HER 1252/40/Set-12	<>