

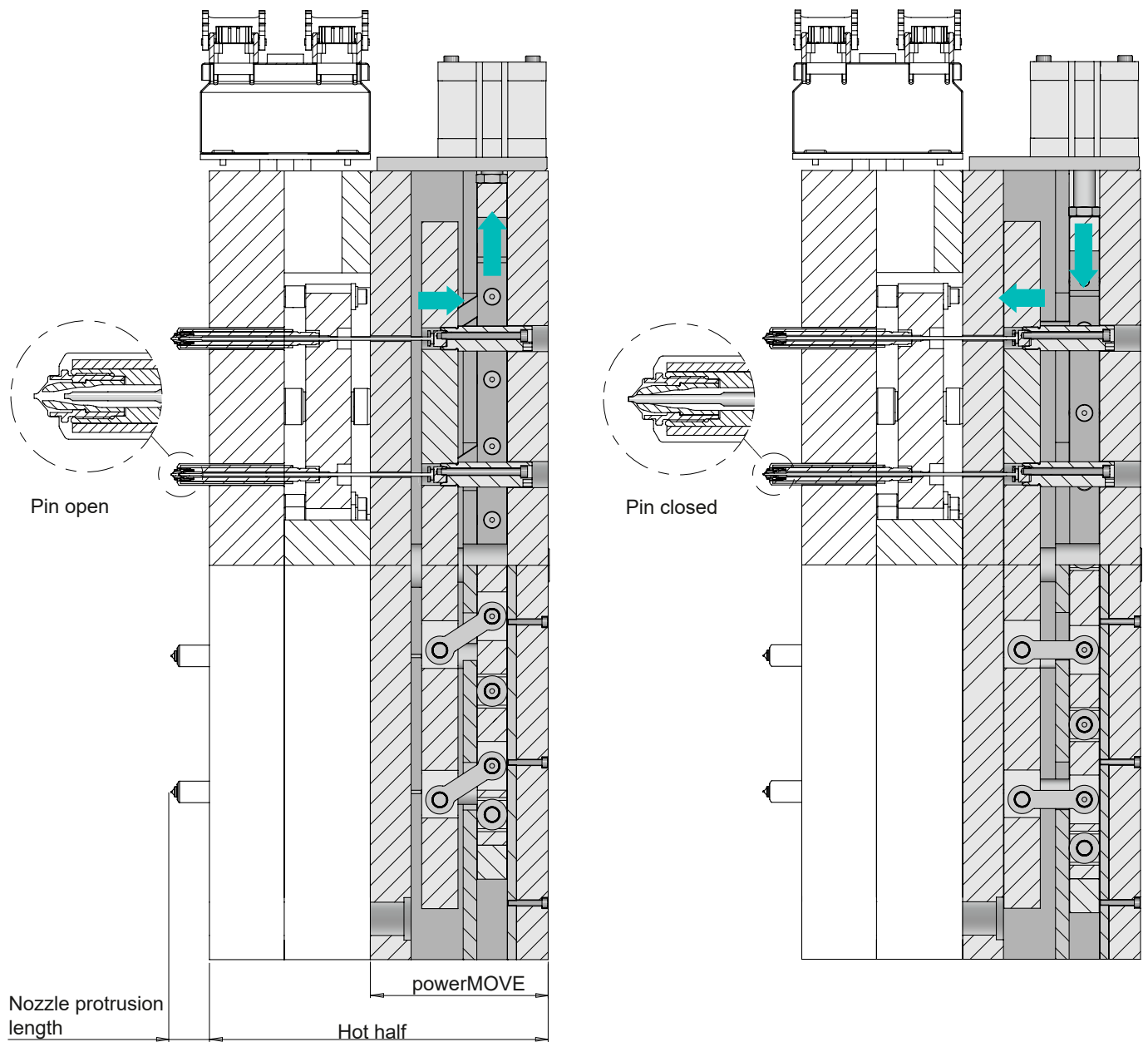
LIFTING PLATE powerMOVE

for series smartFILL 4019/4519/4027/4527

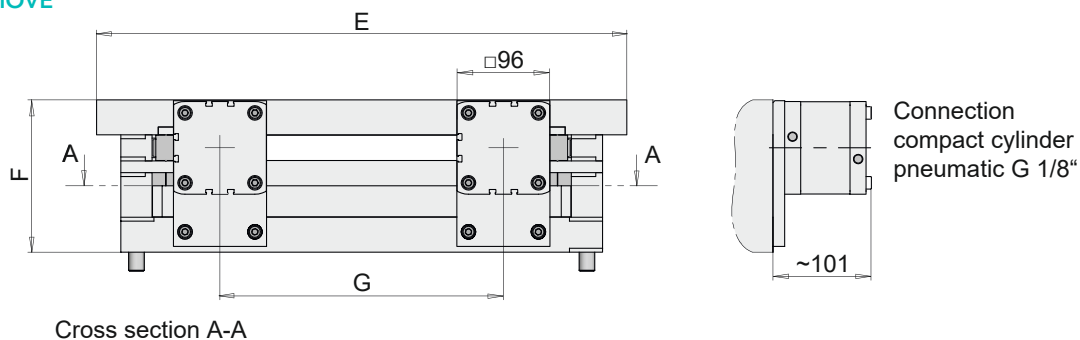
powerMOVE the lever operated lifting plate is part of the Meusburger hot half. It controls the synchronous OPENING and CLOSING of the valve pins of the hot runner manifold nozzles in the hot runner system.

OPTION

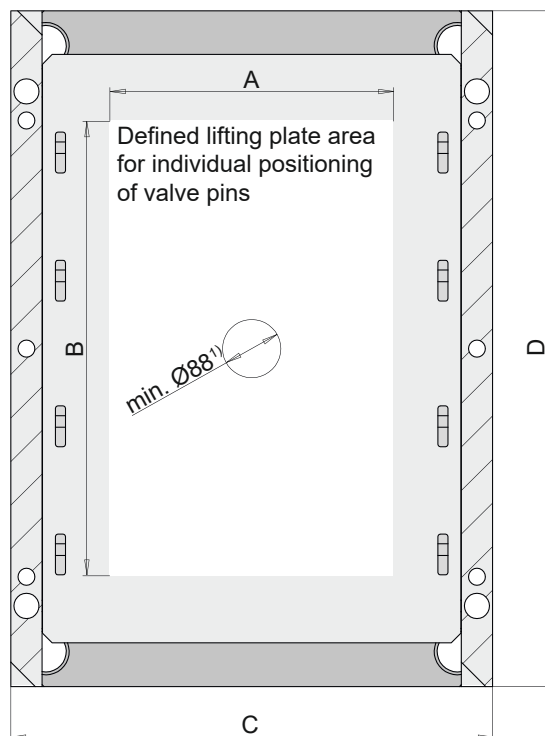
» Shutdown of individual nozzle valve pins without opening the mould



DIMENSIONS powerMOVE



Cross section A-A



¹⁾ Required clearance for the sprue bush

NOZZLE POSITIONING/SPACING

Nozzle series	Min. nozzle spacing
4519	23
4019	28.5
4527	33
4027	40

powerMOVE series	Lifting plate surface		powerMOVE dimensions				Compact cylinder	
	A	B	C	D	E	F	Spacing	Quantity
							G	
246x546	42	318	246	546	296	157	-	1
296x546	92	318	296	546	346	157	-	1
296x696	92	468	296	696	346	157	-	1
346x546	142	318	346	546	396	157	140	2
346x696	142	468	346	696	396	157	140	2
396x546	192	318	396	546	446	157	192	2
396x696	192	468	396	696	446	157	192	2
446x546	242	318	446	546	496	157	240	2
446x696	242	468	446	696	496	157	240	2
496x546	292	318	496	546	546	157	292	2
496x696	292	468	496	696	546	157	292	2

powerMOVE FEATURES

- » Maximum closing force and low speed when plunging the nozzle valve pin into the gate
- » Increasing speed when opening the nozzle valve pin
- » Individual positioning of the valve pin within the defined lifting plate area
- » Configuration of the nozzle valve pins possible for very confined spaces
- » Smallest cavity distance and high number of cavities
- » Individual and stepless height adjustment of nozzle valve pins
- » Energy-saving and cost-effective operation
- » Lowest force losses compared to other actuation mechanisms (e.g. inclined plane)
- » Lifting frame is mounted on roller bearings
- » Self-lubricating and cleanroom compatible
- » No lubrication of the moving parts required
- » Actuation option: pneumatic
- » Standardised mould base suitable for Meusburger plate program