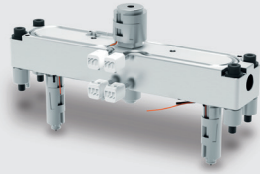


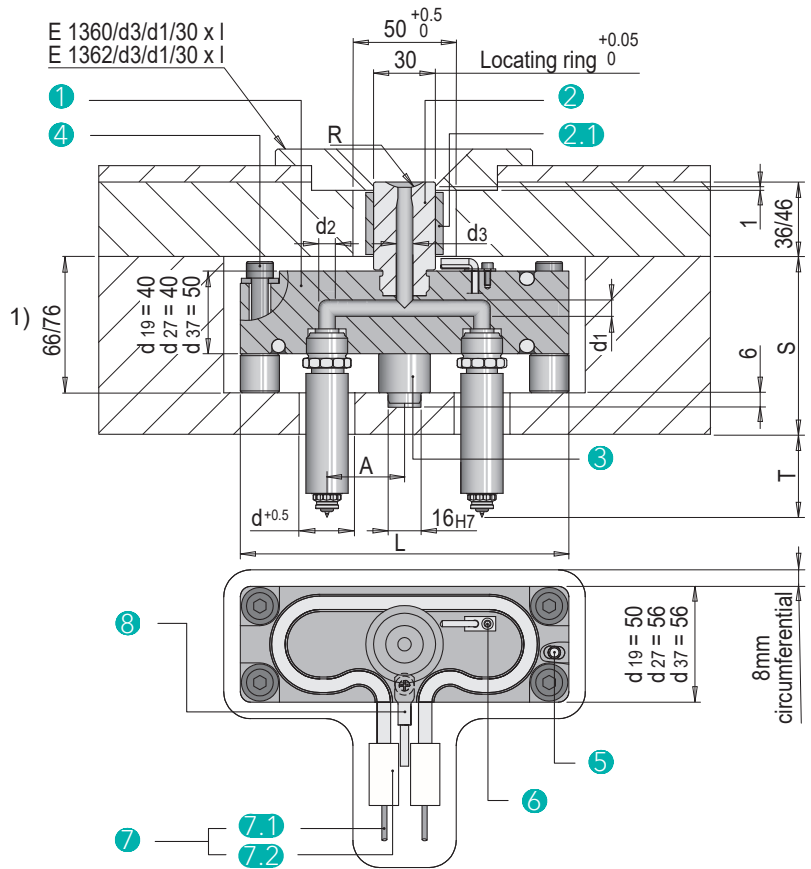
EH 6000 IMT2



Standardised Hot Runner Manifold screw-in type

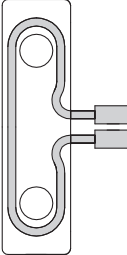
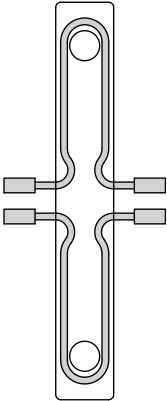
- ① Hot runner manifold incl. heating
- ② EH 6400 sprue bush incl. heating
- ②.1 Sprue bush heater EH 5020
- ③ EH 6200 centering piece
- ④ EH 6214 titanium spacer and screw set
- ⑤ Anti-rotation pin E 1300
- ⑥ EH 52001 90° bent thermocouple
- ⑦ EH 5220 pipe heater connection set
- ⑦.1 Connecting cable
- ⑦.2 Connector clamp
- ⑧ Grounding cable EH 5230
- ⑨ EH 4100 hot runner nozzle

Note: the hole patterns A are based on the mould dimensions.
The linear expansion is calculated by Meusburger.



1) Plate thickness depends on hot runner manifold height

Item	L	A (min.-max.)	d1	d2	d3	R	S min.	S max.	T min.	T max.	CP ²⁾	Power total watts	Manifold heater item no.	d	Type
EH 6000 IMT2/19/..	159	25.0-31.25	5	5	6	0/ 15.5/ 40	86	116	15	160	1	230 V / 1000 W	2x EH 5030/ /6,5 x 325/500	19	
		31.26-43.75											2x EH 5030/ /6,5 x 375/600		
	184	43.76-56.25	230 V / 1200 W	2x EH 5030/ /6,5 x 425/700											
	209	56.26-68.75	230 V / 1400 W	2x EH 5030/ /6,5 x 475/800											
	234	68.76-81.25	230 V / 1600 W	2x EH 5030/ /6,5 x 525/900											
	259	81.26-93.75	230 V / 1800 W	2x EH 5030/ /6,5 x 575/975/											
284	93.76-106.25	230 V / 1950 W	2x EH 5030/ /6,5 x 325/500												
EH 6000 IMT2/19/..	309	106.26-118.75	5	5	6	0/ 15.5/ 40	86	116	15	160	2	230 V / 2000 W	4x EH 5030/ /6,5 x 325/500/	19	
		334											118.76-131.25		
	359	131.26-143.75	4x EH 5030/ /6,5 x 375/600/												
	384	143.76-156.25	4x EH 5030/ /6,5 x 400/650/												
	409	156.26-168.75	4x EH 5030/ /6,5 x 425/700/												
	434	168.76-181.25	4x EH 5030/ /6,5 x 450/750/												
	459	181.26-193.75	4x EH 5030/ /6,5 x 475/800/												
	484	193.76-206.25	4x EH 5030/ /6,5 x 500/850/												
			230 V / 2200 W	4x EH 5030/ /6,5 x 325/500/											
			230 V / 2400 W	4x EH 5030/ /6,5 x 350/550/											
		230 V / 2600 W	4x EH 5030/ /6,5 x 375/600/												
		230 V / 2800 W	4x EH 5030/ /6,5 x 400/650/												
		230 V / 3000 W	4x EH 5030/ /6,5 x 425/700/												
		230 V / 3200 W	4x EH 5030/ /6,5 x 450/750/												
		230 V / 3400 W	4x EH 5030/ /6,5 x 475/800/												

Item	L	A (min.-max.)	d1	d2	d3	R	S min.	S max.	T min.	T max.	CP ²⁾	Power total watts	Manifold heater item no.	d	Type
EH 6000 IMT2/27/..	159	25.0-31.25	8	8	8	0/ 15.5/ 40	86	116	15	160	1	230 V / 1000 W	2x EH 5030/ /6,5 x 325/500/	27	
	159	31.26-43.75										230 V / 1000 W	2x EH 5030/ /6,5 x 325/500/		
	184	43.76-56.25										230 V / 1200 W	2x EH 5030/ /6,5 x 375/600/		
	209	56.26-68.75										230 V / 1400 W	2x EH 5030/ /6,5 x 425/700/		
	234	68.76-81.25										230 V / 1600 W	2x EH 5030/ /6,5 x 475/800/		
	259	81.26-93.75										230 V / 1800 W	2x EH 5030/ /6,5 x 525/900/		
	284	93.76-106.25										230 V / 1950 W	2x EH 5030/ /6,5 x 575/975/		
EH 6000 IMT2/27/..	309	106.26-118.75	8	8	8	0/ 15.5/ 40	86	116	15	160	2	230 V / 2000 W	4x EH 5030/ /6,5 x 325/500/	27	
	334	118.76-131.25										230 V / 2200 W	4x EH 5030/ /6,5 x 350/550/		
	359	131.26-143.75										230 V / 2400 W	4x EH 5030/ /6,5 x 375/600/		
	384	143.76-156.25										230 V / 2600 W	4x EH 5030/ /6,5 x 400/650/		
	409	156.26-168.75										230 V / 2800 W	4x EH 5030/ /6,5 x 425/700/		
	434	168.76-181.25										230 V / 3000 W	4x EH 5030/ /6,5 x 450/750/		
	459	181.26-193.75										230 V / 3200 W	4x EH 5030/ /6,5 x 475/800/		
	484	193.76-206.25										230 V / 3400 W	4x EH 5030/ /6,5 x 500/850/		
	EH 6000 IMT2/37/..	178										37.50-43.75	12		
203		43.76-56.25	230 V / 1300 W	2x EH 5030/ /6,5 x 400/650/											
228		56.26-68.75	230 V / 1500 W	2x EH 5030/ /6,5 x 450/750/											
253		68.76-81.25	230 V / 1700 W	2x EH 5030/ /6,5 x 500/850/											
278		81.26-93.75	230 V / 1900 W	2x EH 5030/ /6,5 x 550/950/											
303		93.76-106.25	230 V / 2000 W	2x EH 5030/ /6,5 x 600/1000/											
EH 6000 IMT2/37/..		328	106.26-118.75	12	12	0/ 15.5/ 40	86	116	15	160	2	230 V / 2200 W		4x EH 5030/ /6,5 x 350/550/	37
	353	118.76-131.25	230 V / 2400 W									4x EH 5030/ /6,5 x 375/600/			
	378	131.26-143.75	230 V / 2600 W									4x EH 5030/ /6,5 x 400/650/			
	403	143.76-156.25	230 V / 2800 W									4x EH 5030/ /6,5 x 425/700/			
	428	156.26-168.75	230 V / 3000 W									4x EH 5030/ /6,5 x 450/750/			
	453	168.76-181.25	230 V / 3200 W									4x EH 5030/ /6,5 x 475/800/			
	478	181.26-193.75	230 V / 3400 W									4x EH 5030/ /6,5 x 500/850/			
	503	193.76-206.25	230 V / 3400 W									4x EH 5030/ /6,5 x 525/900/			

2) CP: Control points of hot runner manifold



Configurator for hot runner moulds:
ecom.meusburger/fh_menu