



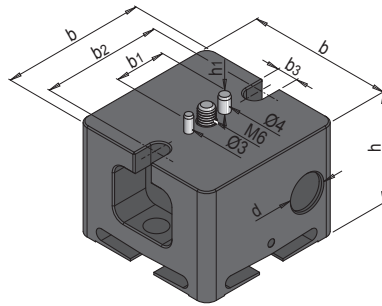
System 1

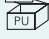
PRODUCT DESCRIPTION

- » The reference element is milled directly into the electrode holder
- » Prepared for chip encoding
- » Includes fastening screws

MATERIAL

- » 1.0038, black oxidized



| b | h | d | h1 | b2 | b3 | b1 |  Pcs. / PU | No. | EUR |
|----|----|----|----|----|-----|----|--|--------------------|-----|
| 54 | 40 | 13 | 6 | 40 | 6.7 | 15 | 1 | HER 1222/15 | <> |
| 54 | 40 | 13 | 6 | 40 | 6.7 | 15 | 12 | HER 1222/15/Set-12 | <> |