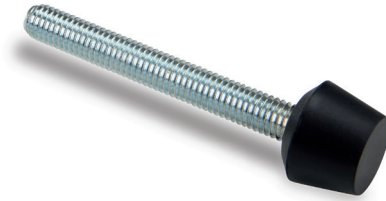
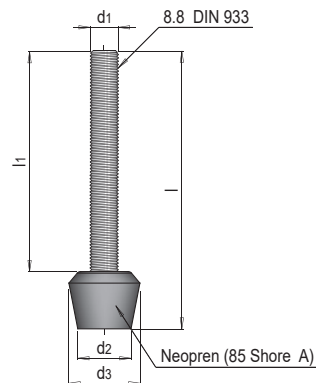


PRODUCT DESCRIPTION

- » Screw hardened and tempered, galvanised and passivated
- » Protection cap made of oil-resistant neoprene
- » LABS-free (silicone-free)



l1	d2	d3	d1	l	No.	EUR
24	8	11	M4	32	HWS 2006/ 4 x 32	<>
28	10	13	M5	38	HWS 2006/ 5 x 38	<>
23	12	16	M6	35	HWS 2006/ 6 x 35	<>
33	12	16	M6	45	HWS 2006/ 6 x 45	<>
48	12	16	M6	60	HWS 2006/ 6 x 60	<>
32	16	21	M8	48	HWS 2006/ 8 x 48	<>
42	16	21	M8	58	HWS 2006/ 8 x 58	<>
62	16	21	M8	78	HWS 2006/ 8 x 78	<>